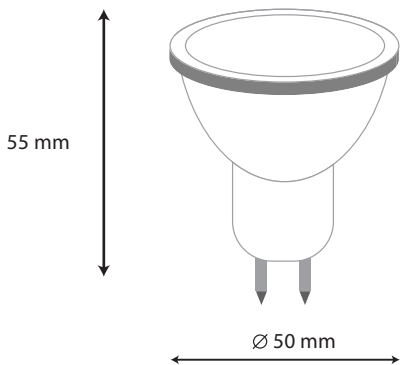




DIMENSION



PRODUCT

Name	MR16 LED Lamps
Reference	EL-MR16-6WS
Bulb Shape	Circular
Bulb Finish	White
Bulb diameter	Ø 50mm
Nominal Length	55mm
RoHS compliant	Yes
Cap/Base	MR16
Ingress Protection	IP20

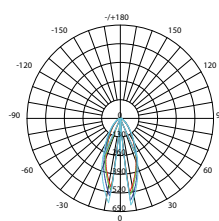
LIGHTING INFORMATION

Light source	LED
Gross luminous flux	480 Lm
Power	6 W
Colour temperature CCT	3000 / 4000 / 6500 K
Colour Rendering Index	CRI = 80
Light beam angle	45°
Dimming	Non Dimmable
Median useful Life	25,000 hours

ELECTRICAL DATA

Power	6 W
Power Factor	0.9
Voltage	220 - 240V
Frequency (Hz)	50/60 Hz

PHOTOMETRIC DETAILS



1m	306-4,413-916	87-13mm
2m	67-16,163-816	174-66mm
3m	99-71,66-6916	261-97mm
4m	11-76,76-8516	349-130mm
5m	13-86,86-6816	436-164mm
6m	16-676,15-6916	523-198mm
7m	7-116,12-6916	611-232mm
8m	8-446,7-8616	698-266mm
9m	4-366,7-8616	785-300mm
10m	8-684,6-12616	872-334mm